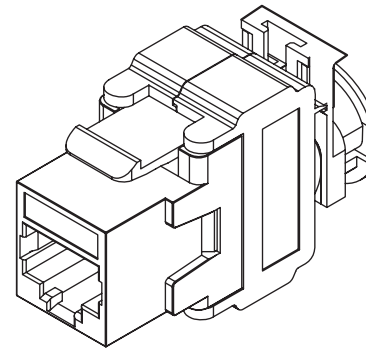
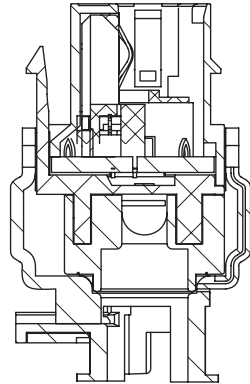
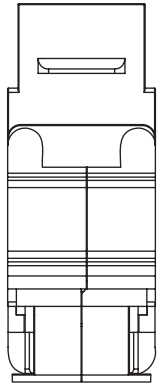


PRODUCT SPECIFICATIONS
CAT6 F/UTP Keystone Jack

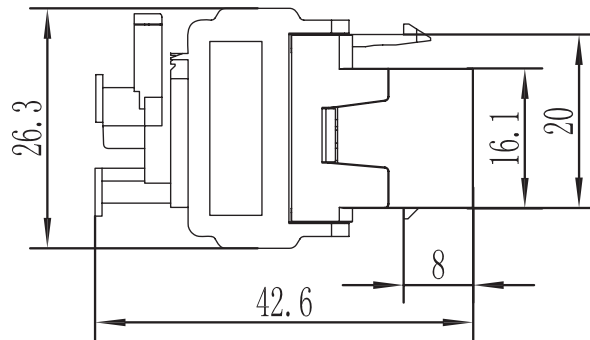
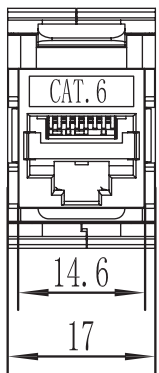


Specification:
Material:

1. Jack Housing: Zinc Alloy
2. RJ45 contact material & Finished:
 - 2-1. Phosphor Bronze with Nickel Plated.
 - 2-2. Contact area: Gold plated
3. IDC Housing: PC
4. IDC Terminal Material & Finished:
 - 4-1. Phosphor Bronze with Tin plated.
 - 4-2. Krone tool compatible.
 - 4-3. Suitable for 22-26 AWG stranded and solid wire.

Performance:

- a. The sticker color codes two wiring of T568A & T568B.
- b. Insertion Force: 900 gms for 8 contacts
- c. Retention Strength: 7.7 kgs between Jack and Plug.
- d. Operation Temperature: -30° to 60°
- e. Durability:
 - e-1. Jack: 750 cycles Plug-Jack mating and unmating test, insertion cycles at 20 cycles/minute max. Contact resistance per 100 cycles.
 - e-2. IDC: Max. 200 punching times.
- f. The CAT6 performance is in compliance with the ANSI/TIA/EIA 568 C standard.



| PART NUMBER | AVAILABLE COLOR |
|-------------|-----------------|
| MKJ6S-01353 | Metal |