



1.5" x 2.75" Nail On Safety Plate



Features & Benefits

- Suitable for residential or commercial installations
- Protects against accidental damage
- Material: Flat 16 gauge steel
- Dimensions: 2.75" x 1.50"
- Packaging: Box of 100

Related Products

Single Gang Keystone Faceplate With Labels, White

- Item No. FP2WH1VL 1 Port\*
- Item No. FP2WH2VL 2 Port
- Item No. FP2WH3VL 3 Port
- Item No. FP2WH4VL 4 Port
- Item No. FP2WH6VL 6 Port



\* Pictured

VGC™ Cat 6 U/UTP Solid Riser CMR Cable, 1000 FT Pull Box

- Item No. MBW6U-03667 Black
- Item No. MBW6U-00934 Blue
- Item No. MBW6U-01623 Gray
- Item No. MBW6U-03628 Green
- Item No. MBW6U-04702 Orange
- Item No. MBW6U-04481 Red
- Item No. MBW6U-01444 White
- Item No. MBW6U-01445 Yellow



Applications

These safety plates protect essential wiring against accidental damage, and are suitable for residential or commercial installations.

Description / Specifications

Designed to be easily hammered in place, these safety plates are composed of flat 16 gauge steel, and do not require any additional hardware for installation. Simply nail the safety plate on to a stud or joist where the wire pass-through is located.

Ordering Information

Description	
1.5" x 2.75" Nail On Safety Plate	
Item Number	Packaging
XSFPL-05031	Box of 100

REV.20230807.3

TECHNICAL SHEETS ARE SUBJECT TO CHANGE WITHOUT NOTICE.

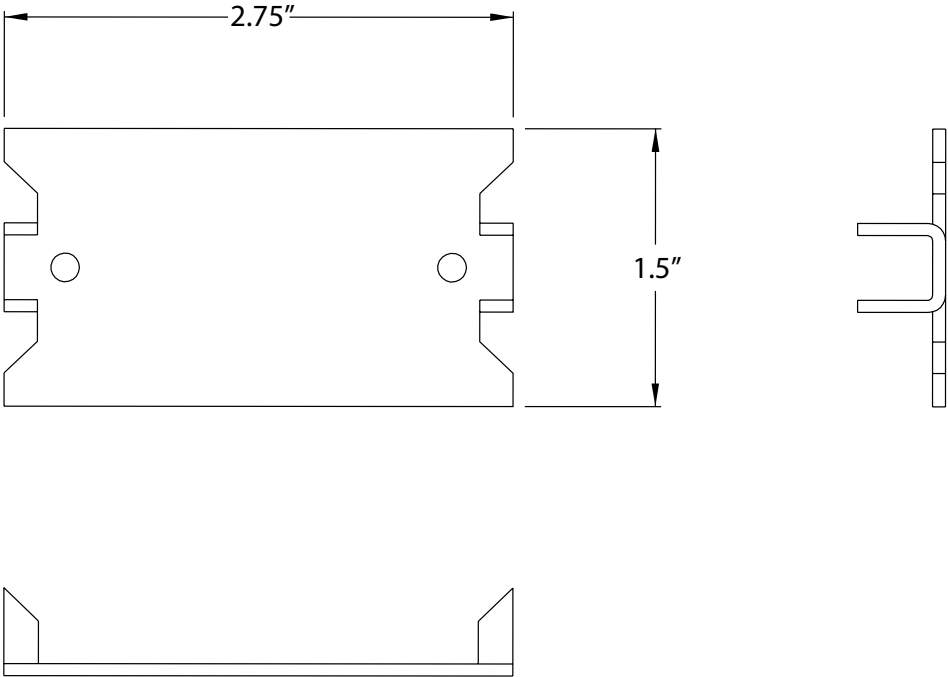
© 2023 Vericom Global Solutions

info@vericomsolutions.com • vericomsolutions.com



1.5" x 2.75" Nail On Safety Plate

Technical Drawing



REV.20230807.3

TECHNICAL SHEETS ARE SUBJECT TO CHANGE WITHOUT NOTICE.