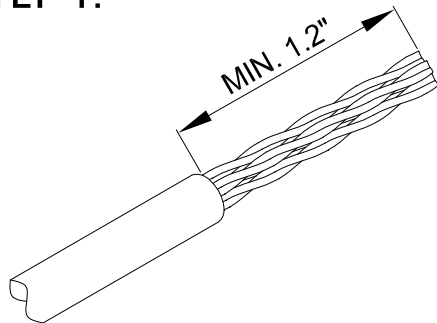


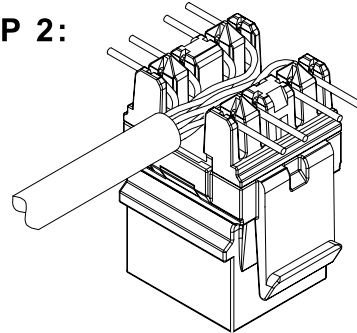
INSTALLATION INSTRUCTIONS

STEP 1:



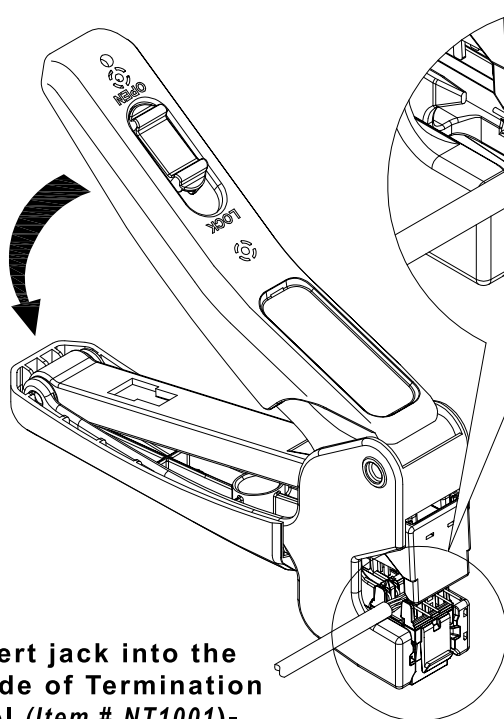
Strip off at least 1.2 inches of jacket from end of cable.

STEP 2:



Press the wires through the projecting portion of terminals until fixed.

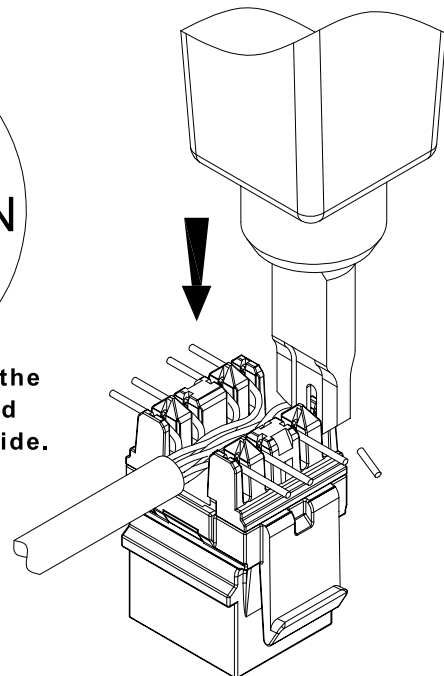
STEP 3:



Insert jack into the guide of Termination Tool (Item # NT1001)- from either direction.

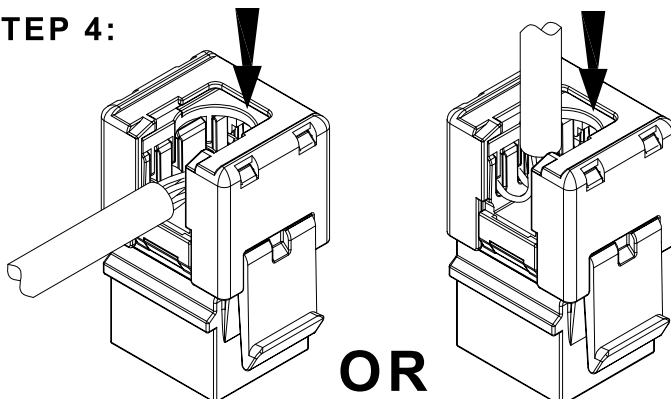
Make sure the jack is fixed into the guide.

OR



Terminate wires with punch down tool (Item # WTPDT-03633). Make sure the tool cuts off the excess wires.

STEP 4:



OR

Place cap on jack and press to make sure it is fully seated. The cap opening allows the cable to enter the jack from side to rear.