



## Rack Mount LGX Fiber Enclosures

FORME-1RU3P



FORME-2RU6P



FORME-4RU12P



TECHNICAL SHEETS ARE SUBJECT TO CHANGE WITHOUT NOTICE.

### Applications

Rack Mount LGX fiber enclosures shall house, organize, manage and protect fiber optic cable, terminations, splices, connectors and patch cords. LGX fiber enclosures are designed to be compatible with all standard LGX fiber adapters and cassettes from all standards-based manufacturers. Fiber enclosures are typically placed in the entrance, telecommunications room, or the main equipment room. The enclosures can manage up to 72 fibers in 3 LGX positions for 1RU, 144 fibers in 6 LGX positions for a 2RU, or 288 fibers in 12 LGX positions for a 4RU enclosure.

### Description / Specifications

Vericom's Rack Mount LGX fiber enclosures are available in 1RU, 2RU and 4RU. The enclosure provides splice trays to protect fusion and mechanical splices while controlling fiber bend radius to industry standards. Rack Mount enclosures fit in standard 19" racks and cabinets with an internal frame designed to accept standard LGX fiber adapter panels. Access to fiber connections is provided with front and back doors along with a drawer that slides forward and backward.

### Features & Benefits

- Interoperable with all Standard LGX Fiber Adapter Panels
- One part number with splice trays provided to support maximum density (splice sleeves not included)
- Sliding tray provides front access to splice tray and connections
- Removable top covers allow full access to the enclosure for the installation process
- Polycarbonate front door allows TIA-606-A compatible labels to be visible

### Standards Compliance

- ANSI/TIA-568-C.3
- TIA-604-10 (FOCIS-10)
- TIA-604-3 (FOCIS-3)
- ISO/IEC 11801
- IEC 61754
- RoHS Compliant

REV.20250108.4

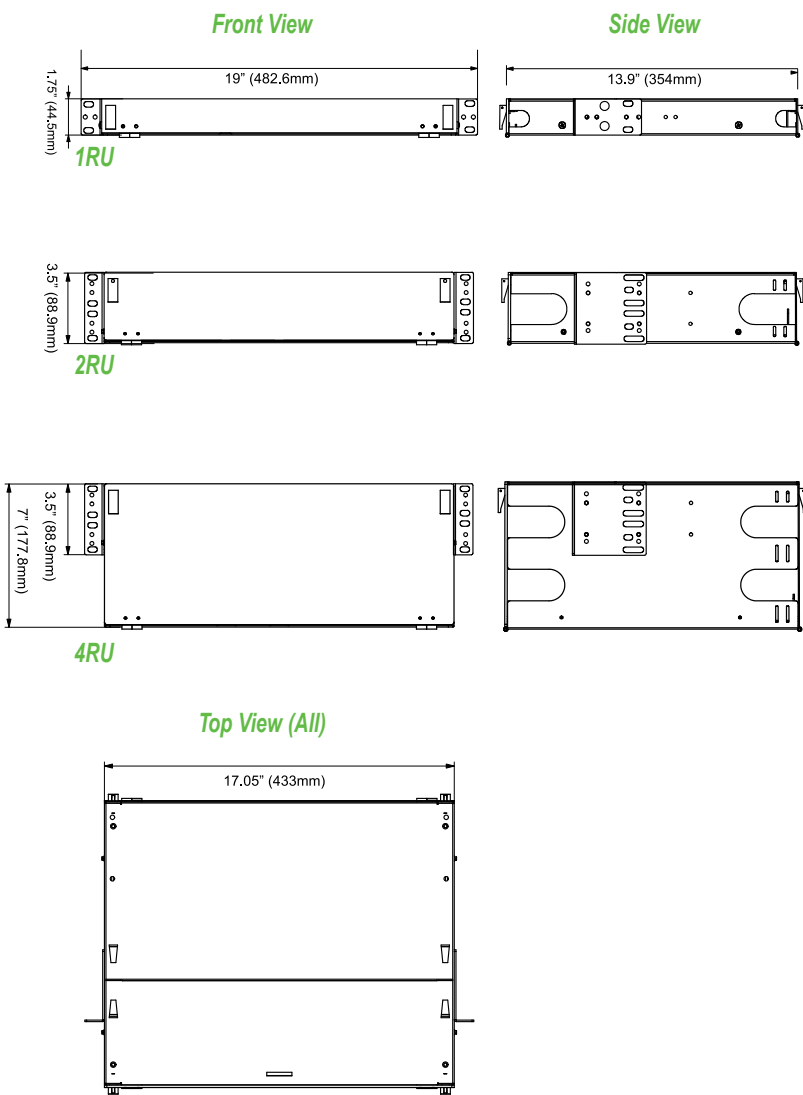


Rack Mount LGX Fiber Enclosures

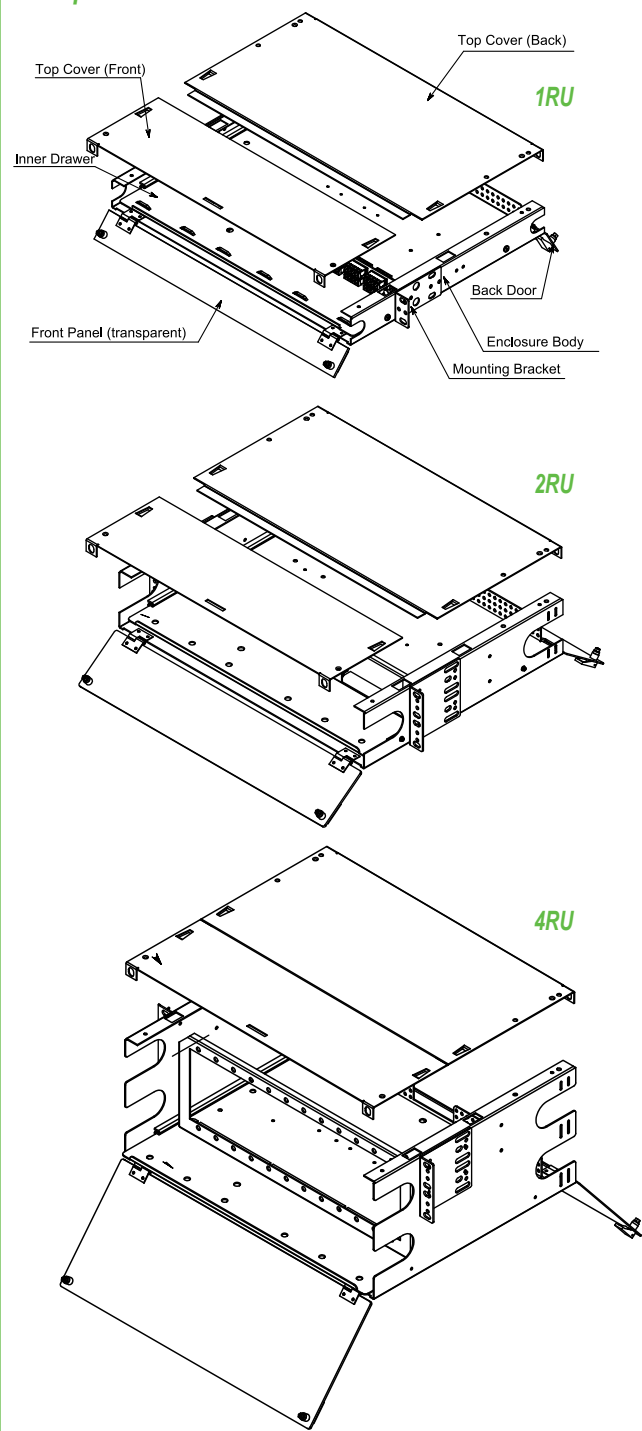
Ordering Information

Item Number	Description
FORME-1RU3P	1U rack mount fiber enclosure, 3-slots, LGX type, empty, 72 splice trays (splice sleeves not included)
FORME-2RU6P	2U rack mount fiber enclosure, 6-slots, LGX type, empty, 144 splice trays (splice sleeves not included)
FORME-4RU12P	4U rack mount fiber enclosure, 12-slots, LGX type, empty, 288 splice trays (splice sleeves not included)

Technical Illustrations



3D Exploded View



TECHNICAL SHEETS ARE SUBJECT TO CHANGE WITHOUT NOTICE.

REV.20250108.4