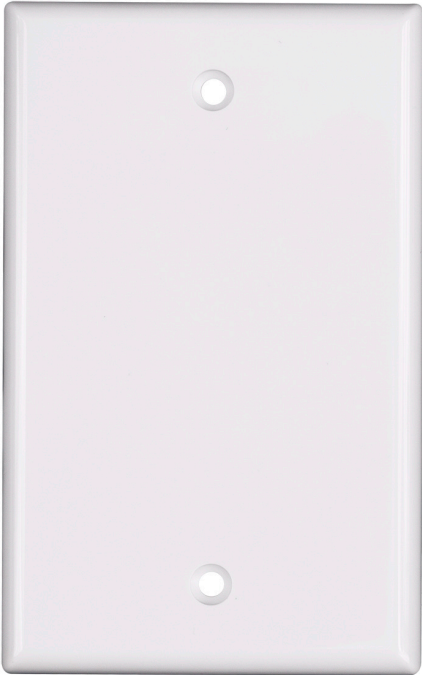


## Standard Single Gang Blank Faceplates



### Applications

These standard single gang blank faceplates are used for covering junction boxes and are ideal for situations requiring a flush mount.

### Ordering Information

TYPE	IVORY	WHITE
Blank Faceplate, Single Gang	XFPOP-01519	XFPOP-01518

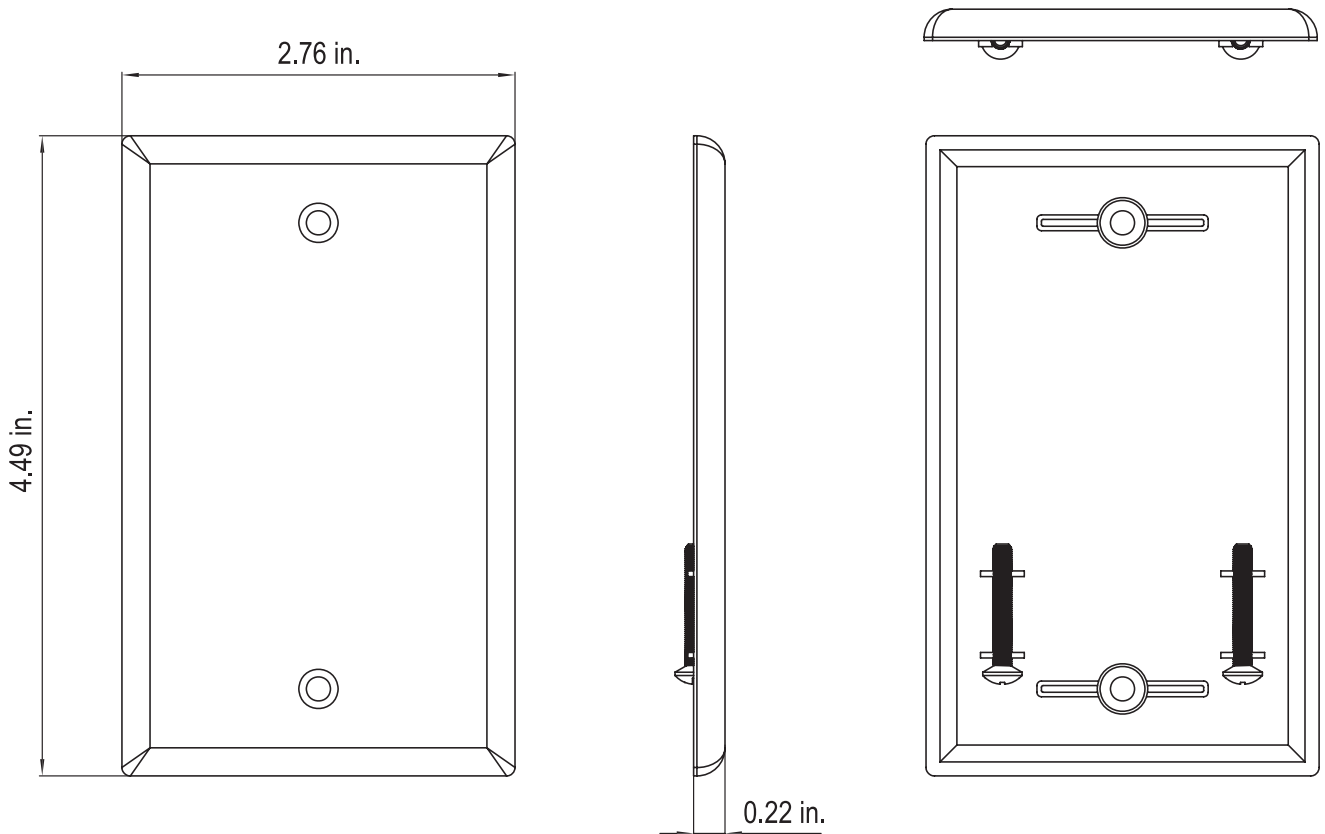
### Description / Specifications

Vericom standard single gang blank faceplates are molded out of proprietary impact resistant plastic. These faceplates provide a finished look for unused junction boxes. These faceplates come complete with mounting screws.

### Features & Benefits

- Flush mounting for an aesthetic look
- For covering single gang junction boxes
- Includes color matched screws for mounting
- Available in White or Ivory

### Technical Drawing



### Physical Specifications

<b>Dimensions</b>	114*70*5.6 mm
<b>Material</b>	High Impact, Fire retardant ABS plastic rated UL94V-0
<b>Mounting</b>	Screws (Included)
<b>Color</b>	White or Ivory ( <i>see ordering information</i> )