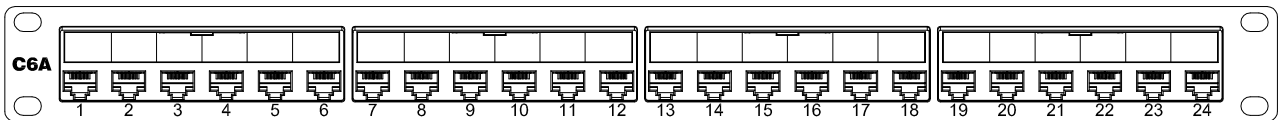
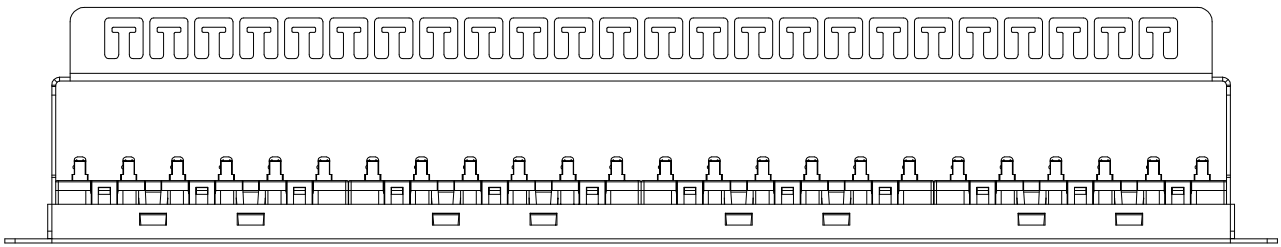


# INSTRUCTION SHEET



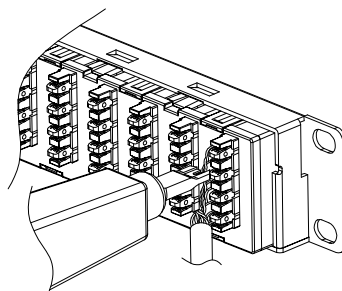
## Step 1.

Press wires into position (T568A/T568B)  
Do not untwist conductor pairs more than 0.5 inches.

MODULAR WIRING CONFIGURATION		
COLOR CODE	T568B	T568A
White-Blue	5	5
Blue	4	4
White-Orange	1	3
Orange	2	6
White-Green	3	1
Green	6	2
White-Brown	7	7
Brown	8	8

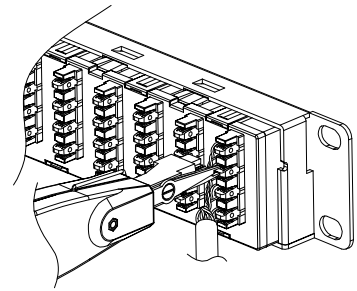
## Step 2.

Terminate wires with a 110 punch down tool.  
or Krone punch down tool.

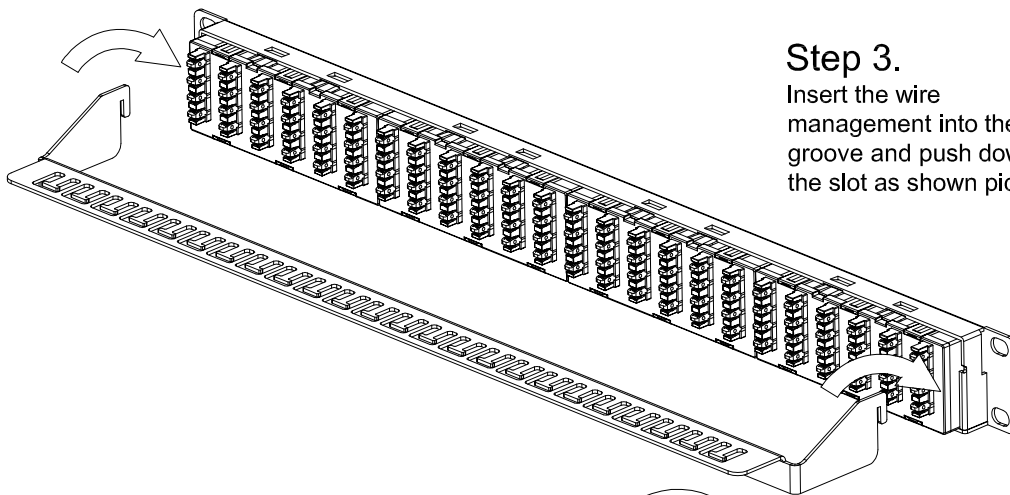


110 punch down tool

OR



Krone punch down tool

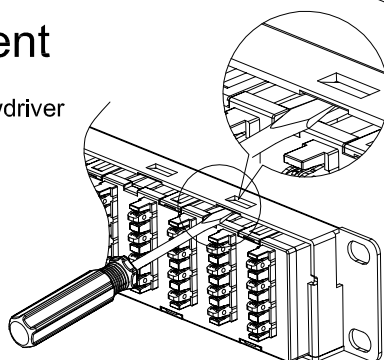


## Step 3.

Insert the wire management into the groove and push down in the slot as shown picture.

## Module Replacement

Insert and rotate the slotted screwdriver as shown (2 places), take out the module from patch panel.



Insert the new module into patch panel until fixed.

