



Snap-in Splice Clip

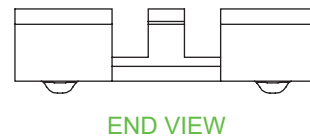
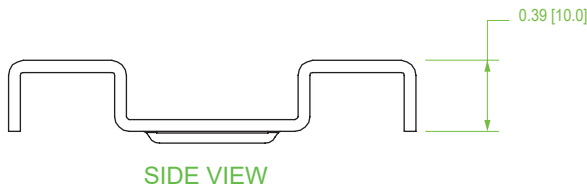
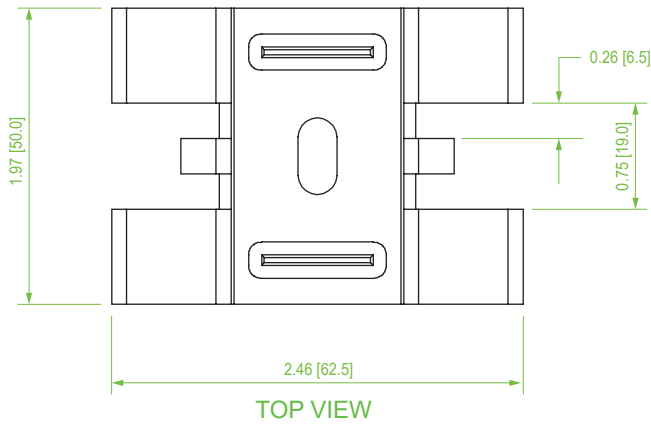


Description

This toolless splice clip is compatible with all tray sizes and offers fast and easy installation when connecting two sections of basket tray.

Product Specifications

- Material:** High-strength carbon steel
- Finish:** Black powder coat
- Dimensions (L x W x H):** 2.48" x 2.17" x 0.41"
- Weight:** 3.6 lbs per 50
- Compliance & Standards:** IEC 61537
- Selling Unit:** Bag of 50



| ITEM NUMBER | DESCRIPTION | AVAILABILITY |
|---------------|---------------------|--------------|
| VBT-SA-BP-B50 | Snap-in Splice Clip | Stocked |