



5" Horizontal 90° Elbow



**Product Specifications**

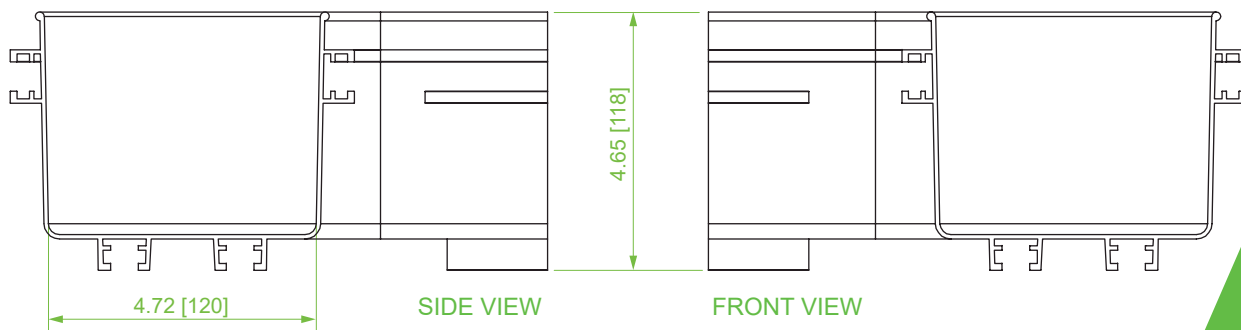
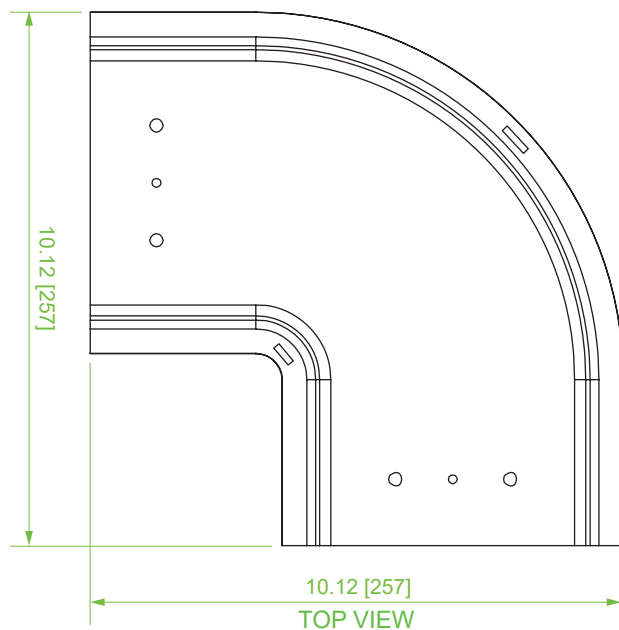
- Material:** Lightweight, flame-retardant PVC (V-0 rated)
- Color:** Yellow
- Dimensions (L x W x H):** 10.1" x 10.1" x 4.6"
- Weight:** 1.21 lbs
- Hardware:** (2) VCT-120CNC couplers for connection (sold separately)
- Compliance & Standards:** UL2024 & UL94-V0
- Selling Unit:** 1 piece

**Description**

Connects to a 5" straight channel section or other transitional fittings to provide a 90-degree horizontal bend in a fiber routing system.

- Tool-free installation
- Maintains minimum cable bend radius requirements

Item Number	Description
VCT-120HE91	5" Horizontal 90° Elbow
VCT-120HE91C	Cover for 5" Horizontal 90° Elbow



TECHNICAL SHEETS ARE SUBJECT TO CHANGE WITHOUT NOTICE.

REV.20250213.1