

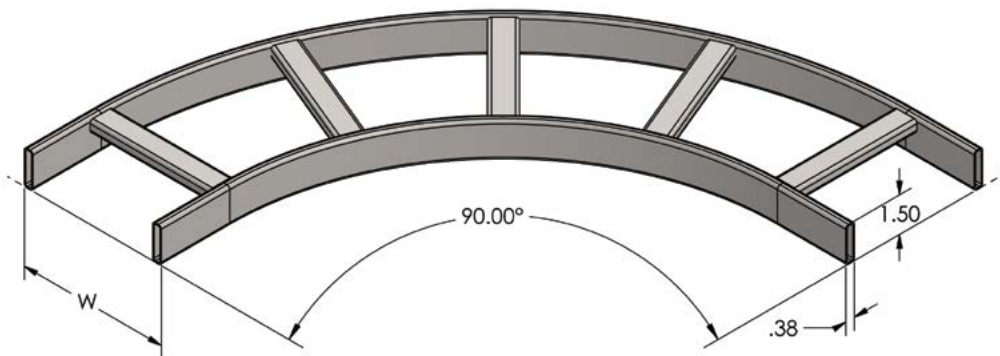
Horizontal Bend Ladder: 12"



Description

This horizontal bend ladder is used to create a 90 degree sweep in the horizontal plane for cable ladder runway and is designed to conform with minimum cable bend radius requirements. Our horizontal bend ladder consists of 1-1/2 x 3/8 x 0.060 wall steel tube sides with 1.00 x 1/2 wall tube steel rungs. Installs easily using butt-splice kits.

Technical Illustration



Product Specifications

Product Type: Horizontal Bend Ladder

Product Material (Sides): 1-1/2 x 3/8 x 0.06 Thick Tubular Steel

Product Material (Rungs): 1.00 x 1/2 0.06 Thick Tubular Steel

Product Color: Black (Additional Colors Available Through Special Order)

Compliance & Standards: RoHs Compliant and Conforms to EIA-310 Standard

Ordering Information

| Description | |
|---|-------|
| Horizontal Bend Ladder For Cable Runway | |
| Item # | Width |
| VLR-12HRE | 12" |