

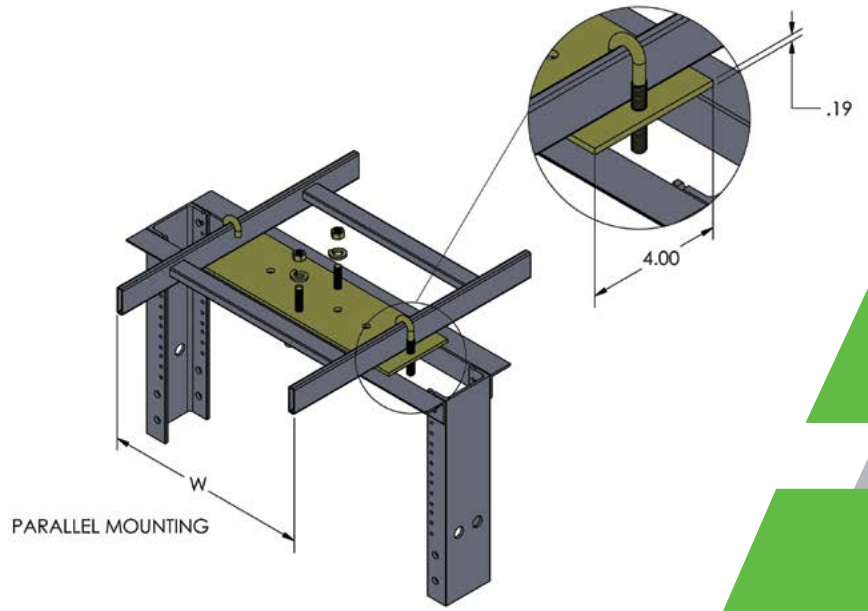
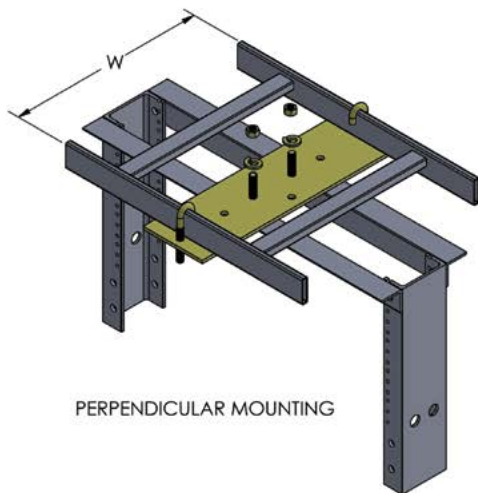
Rack Mounting Plate Kit



Description

Constructed of high strength steel plate, our rack mounting plate kit is used to secure cable ladder runway to the top of any 3" channel relay rack. The components are RoHS compliant and conform to EIA-310-D standards. This rack mounting plate kit is configurable to your cable runway direction and can be mounted perpendicular or parallel for versatility.

Technical Illustration



Product Specifications

**Product Type:** Rack Mounting Plate Kit

**Product Material:** High Strength Steel Plate

**Product Color:** Black (Additional Colors Available Through Special Order)

**Compliance & Standards:** RoHS Compliant and Conforms to EIA-310 Standard

**Configuration Requirements:** Configurable to runway direction.

Ordering Information

Description	
Rack Mounting Plate Kit For Cable Runway	
Item #	Width
VLR-A123RP	12"