

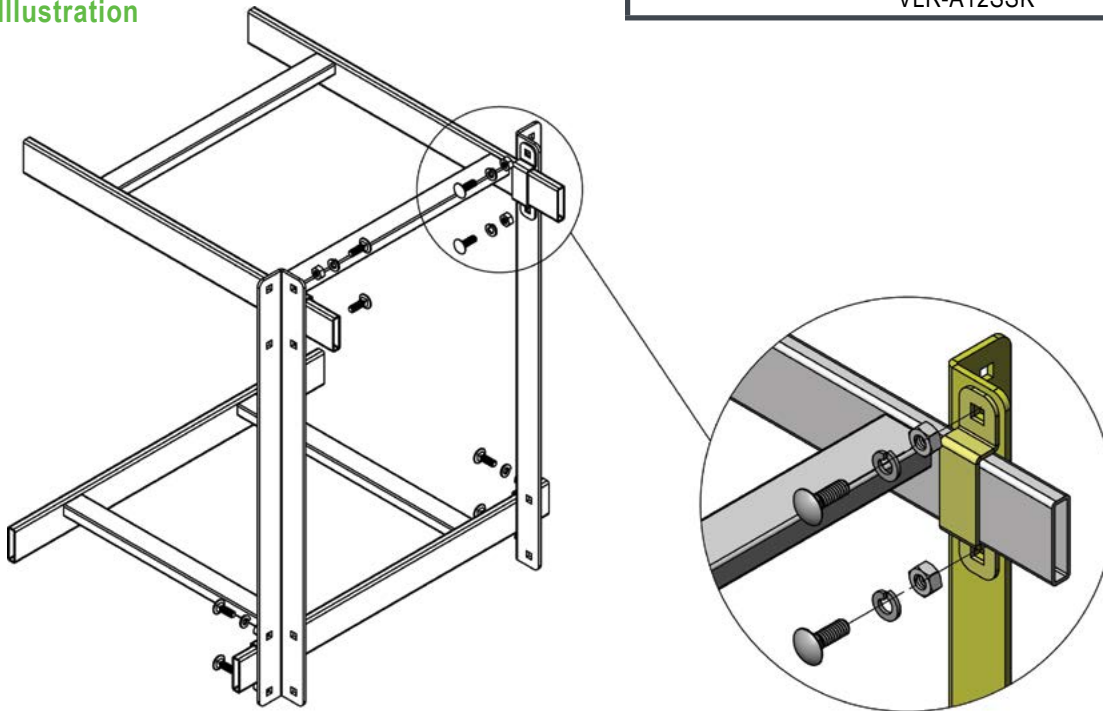
Standoff Support Kit: 12"



Description

This standoff support kit allows the attachment of cable ladder 12" directly above and either perpendicular or parallel to existing cable ladder. Our standoff support kit consists of 2 angle brackets, 4 clamp brackets and 8 sets of 1/4-20 hardware. The components are constructed of high strength 14 gauge steel, and are available in black. Additional color options available through special order only.

Technical Illustration



TECHNICAL SHEETS ARE SUBJECT TO CHANGE WITHOUT NOTICE.

REV.20250114.2

Product Specifications

Product Type: Standoff Support Kit: 12"

Product Material: High Strength 14 Gauge Steel

Product Color: Black (Additional Colors Available Through Special Order)

Compliance & Standards: RoHS Compliant

Kit Includes: (2) Angle Brackets, (4) Clamp Brackets, (8) sets of 1/4-20 hardware

Ordering Information

Description
12" Standoff Support Kit For Cable Runway
Item #
VLR-A12SSK