



Ceiling Mount Kit - 5/8"



Description

This kit is used to suspend cables and runways from the ceiling. Our 5/8" ceiling mount kit consists of 2 ceiling brackets, 2 slip-on brackets, (8) 5/8" bolt-on hardware and (2) 6' threaded rods. All components are RoHS Compliant.

Product Specifications

Product Type: Ceiling Mount Kit

Product Material (Slip-On Brackets): High Strength 7 Gauge Steel

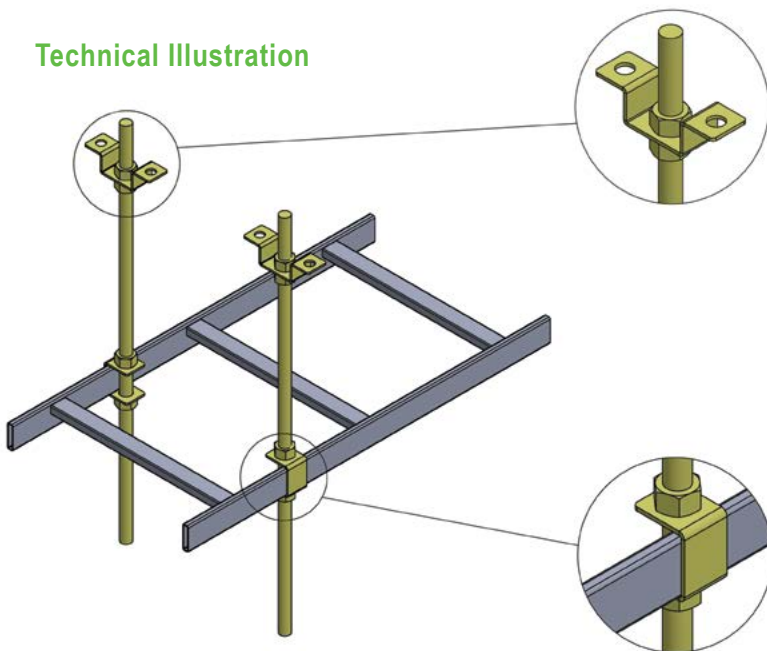
Product Material (Ceiling Brackets): High Strength 12 Gauge Steel

Product Color: Black (Additional Colors Available Through Special Order)

Compliance & Standards: RoHS Compliant

Kit Includes: (2) Ceiling Brackets, (2) Slip-On Brackets, (8) 5/8" Bolts, and (2) 6' Threaded Rods

Technical Illustration



Ordering Information

Description
Ceiling Mount Kit For Cable Runway
Item #
VLR-ATRCK