



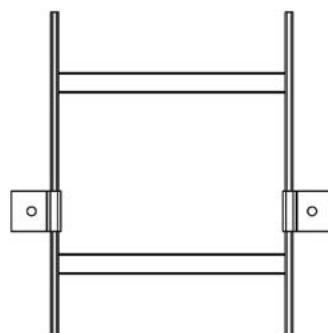
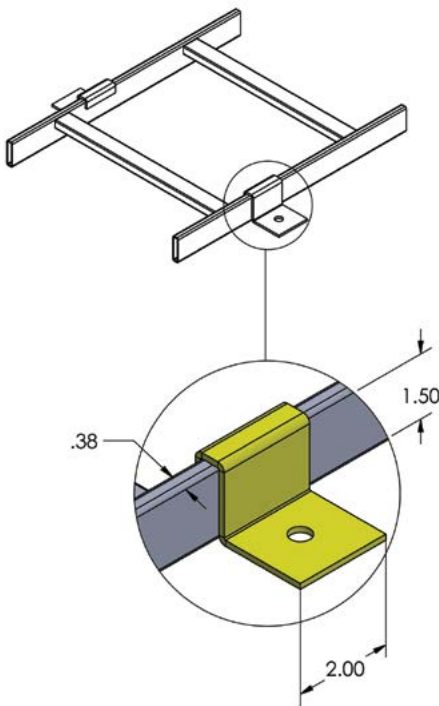
Vertical Wall Bracket Kit



Description

This kit is used to anchor a ladder runway to a wall. Our vertical wall bracket kit consists of two wall brackets constructed from high strength steel. These brackets are RoHS Compliant.

Technical Illustration



Product Specifications

Product Type: Vertical Wall Bracket Kit

Product Material: High Strength Steel

Product Color: Black *(Additional Colors Available Through Special Order)*

Compliance & Standards: RoHs Compliant

Kit Includes: (2) Vertical Wall Brackets

Ordering Information

Description
Vertical Wall Bracket Kit For Cable Runway
Item #
VLR-AVWB

TECHNICAL SHEETS ARE SUBJECT TO CHANGE WITHOUT NOTICE.

REV.20250115.2