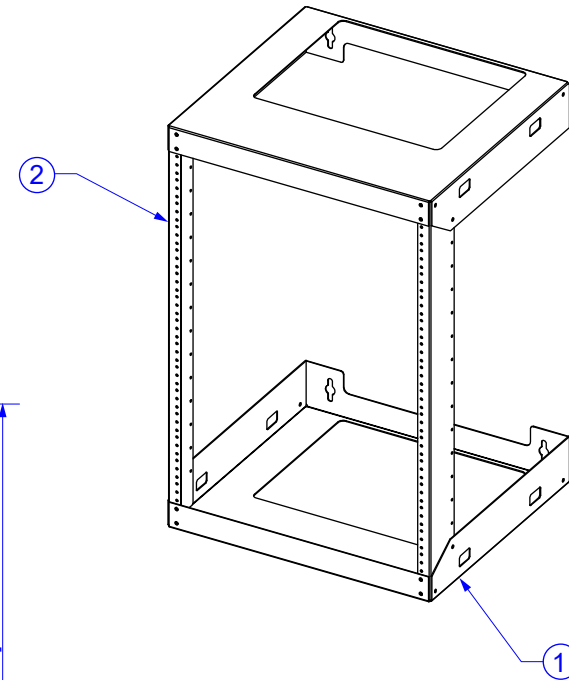
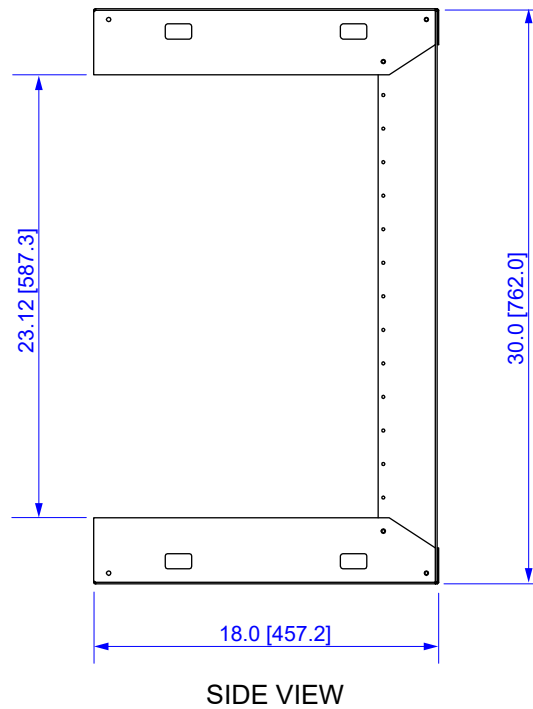
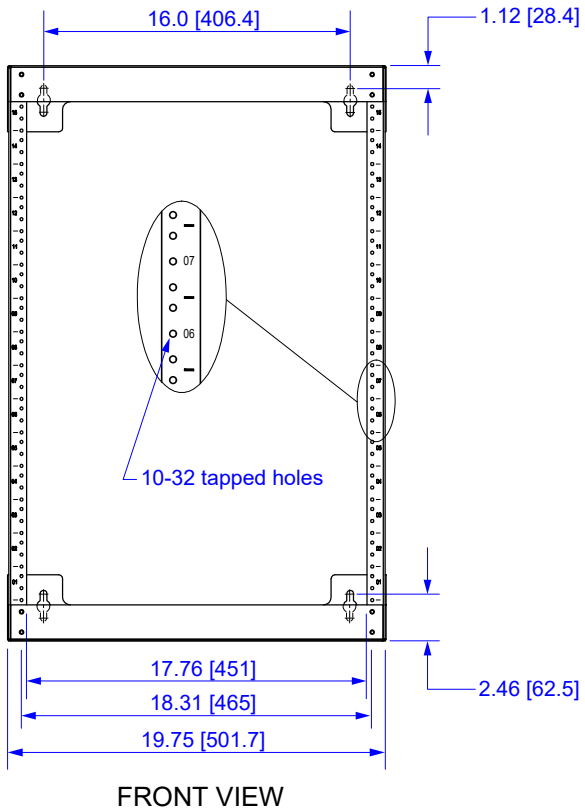
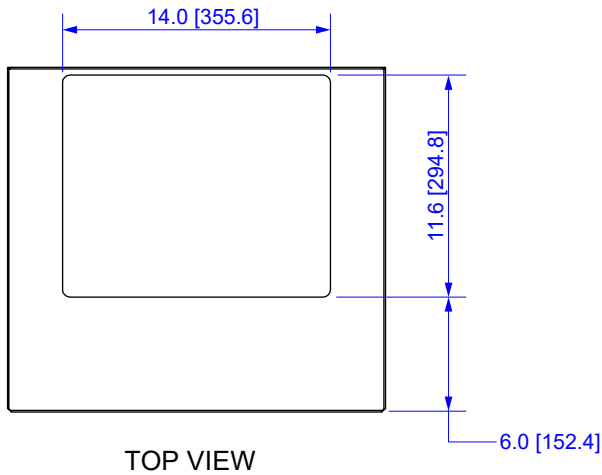


COMPLIANCE	ANSI/EIA RS-310D IEC60297-2 DIN41494; Part 1 DIN41494; Part 7
LOADING CAPACITY	150 lbs.



No.	Description	Gauge	Qty
1	Top / Bottom	16	2
2	Mounting Rail	14	2

ITEM NO.		VW5-5151		VERICOM [®]	
DESCRIPTION					
15U WALL MOUNT RACK					
DATE	SCALE	SHEET	REV		
12/04/2020	none	1 of 1			

All dimensions in inches [mm]