

## Single Gang Cable Entrance Waterfall Faceplate



### Applications

These single gang cable entrance waterfall faceplates are ideal for discreetly organizing and protecting factory assembled low voltage cables, such as HDMI cables, USB, or ethernet patch cables, so they are not damaged during installation.

### Ordering Information

Description	
Cable Entrance Waterfall Faceplate, Single Gang	
Item No.	Color
XFPLV-12506	White

### Description / Specifications

Vericom single gang cable entrance waterfall faceplates are molded out of proprietary impact resistant plastic. These faceplates provide a professional finished look and provide organization for factory assembled low voltage cables. These faceplates come complete with painted mounting screws and are an excellent choice for nonconventional installs.

### Features & Benefits

- “Waterfall” design allows for damage free cable installation
- For organizing factory assembled low voltage cables
- Includes painted screws for mounting
- Allows additional cables to be added quickly to the installation
- Available in White

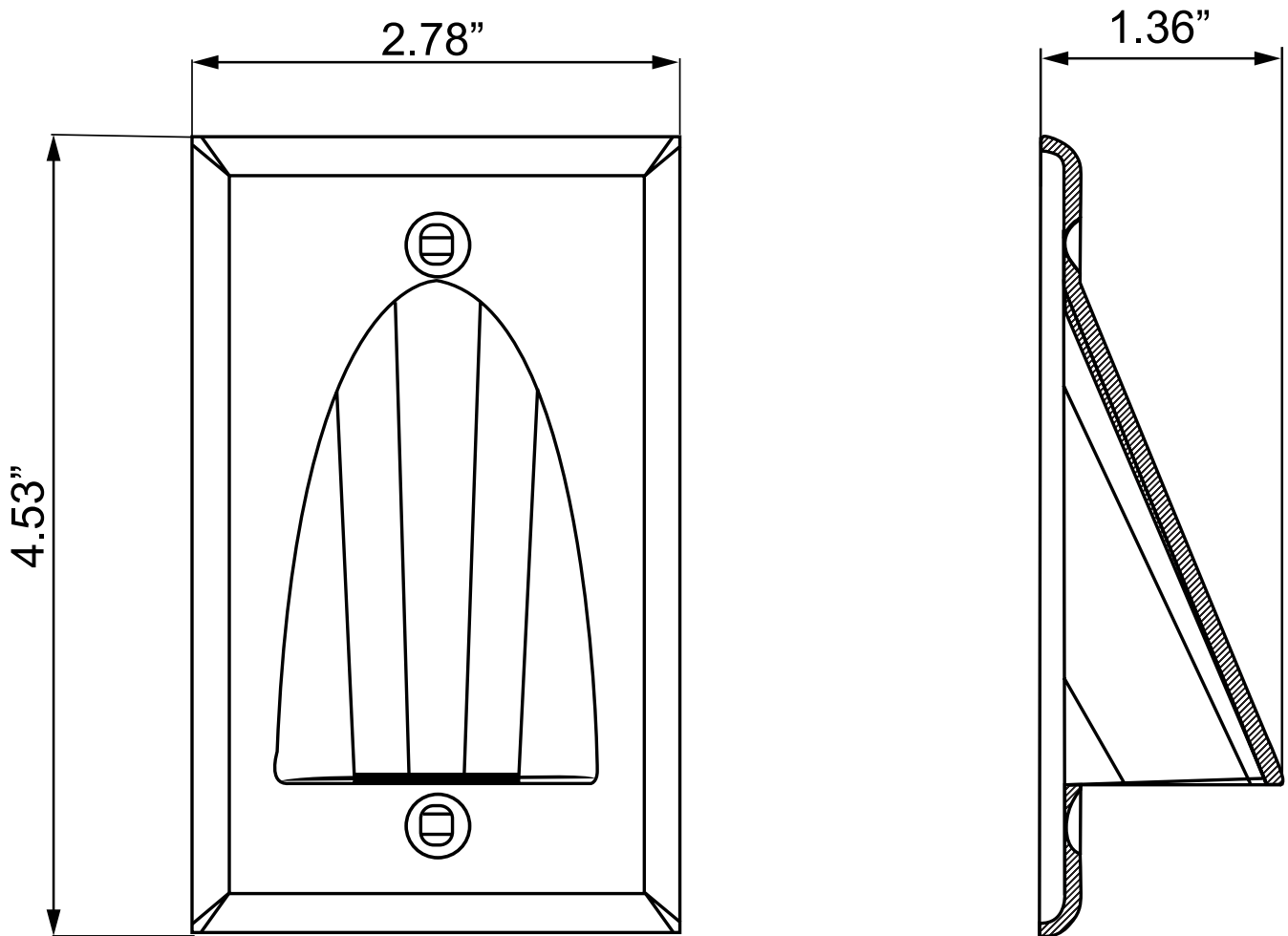
### Related Products

Single Gang Retro Fit Mounting Bracket

Item No. *XFPMB-05027*



### Technical Drawing



### Physical Specifications

# of Ports	1 Port
Dimensions	4.53*2.78*1.36 in. (115*70.5*34.6 mm)
Material	High Impact, Fire retardant ABS plastic rated UL94V-0
Mounting	Screws (Included)
Color	White