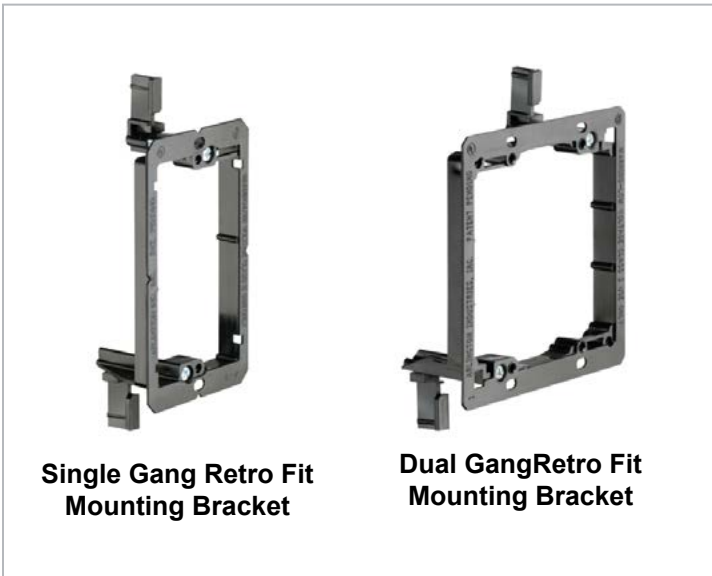




Retro Fit Mounting Bracket



Features & Benefits

- Ideal for “existing construction” installations
- Suitable for use with Low-Voltage Class 2 wall outlet installations
- Innovative mounting wings to help secure bracket to the wall
- Adjusts to fit various wall thicknesses
- Available as a single gang or a dual gang retro fit mounting bracket
- Horizontal or vertical mounting
- UL- Listed
- Packaging: Sold Individually

Related Products

Single Gang Cable Entrance Waterfall Faceplate

Item No. XFPLV-12506



High Speed VU Series With Ethernet, Black

- Item No. XHD01-04251 1.5 ft
- Item No. XHD03-04252 3 ft
- Item No. XHD06-04253 6 ft
- Item No. XHD10-04254 10 ft
- Item No. XHD12-04255 12 ft



CAT6 28Flex™ Snagless Patch Cables

Item No. RC6020XXF-MYY

Specify Length by substituting XX in Item # for the following:  
 .5 = 0.5 ft, 01 = 1 ft, 02 = 2 ft, 03 = 3 ft, 04 = 4 ft, 05 = 5 ft, 06 = 6 ft,  
 07 = 7 ft, 10 = 10 ft, 14 = 14 ft, 15 = 15 ft, 20 = 20ft

Specify jacket color by substituting YY in Item # for the following:  
 BK = Black, BL = Blue, GY = Gray, GN = Green, WH = White, YE = Yellow



Applications

These retro fit mounting brackets are designed for the professional installer to mount plates flush against the wall, while giving them the support needed for long lasting, durable installations. These brackets are a time and money-saving solution for “existing construction” installations that require a retro fit solution and are suitable for low-voltage- Class 2 wire only.

Description / Specifications

These UL Listed retro fit mounting brackets are available in black, in either single gang or dual gang and include innovative mounting wings to help secure the bracket to the wall. These simple to install brackets can be horizontal or vertically mounted and adjust to fit various wall thicknesses.

Ordering Information

Description	
Retro Fit Mounting Bracket	
Item Number	Type
XFPMB-05027	Single Gang
XFPMB-05028	Dual Gang

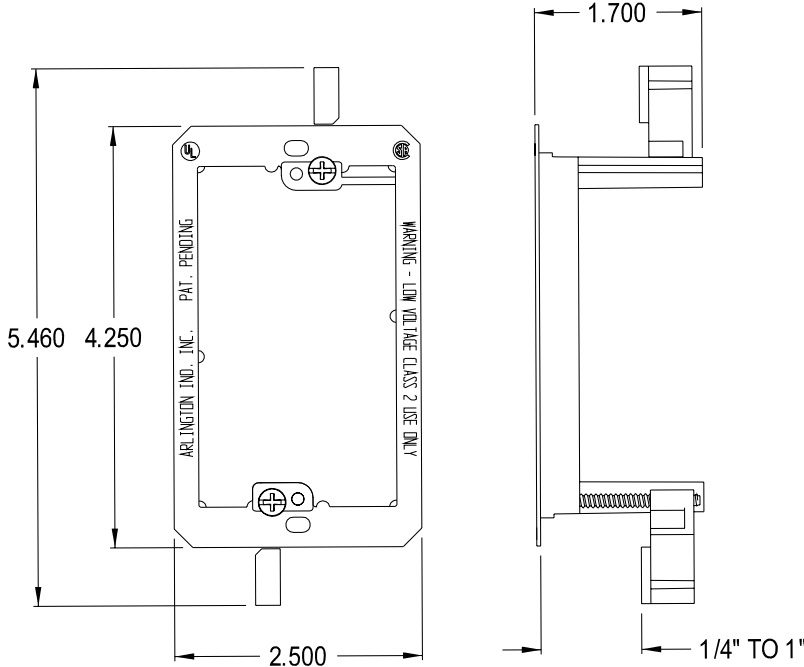
REV.20250106.4

TECHNICAL SHEETS ARE SUBJECT TO CHANGE WITHOUT NOTICE.

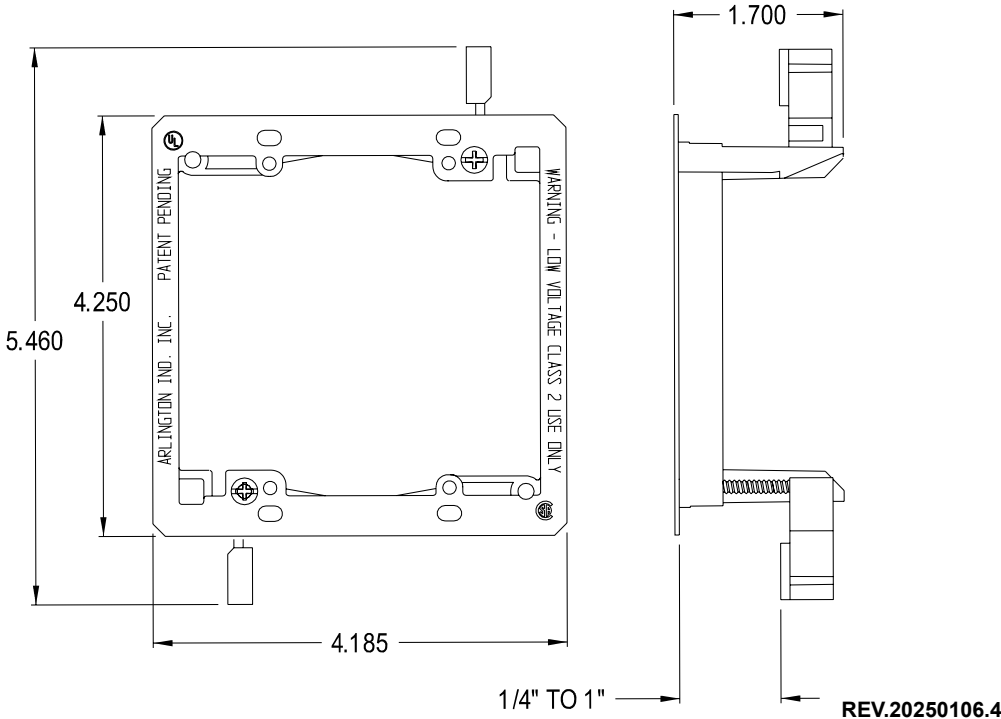


Retro Fit Mounting Bracket

Technical Drawing- Single Gang



Technical Drawing- Dual Gang



REV.20250106.4

TECHNICAL SHEETS ARE SUBJECT TO CHANGE WITHOUT NOTICE.